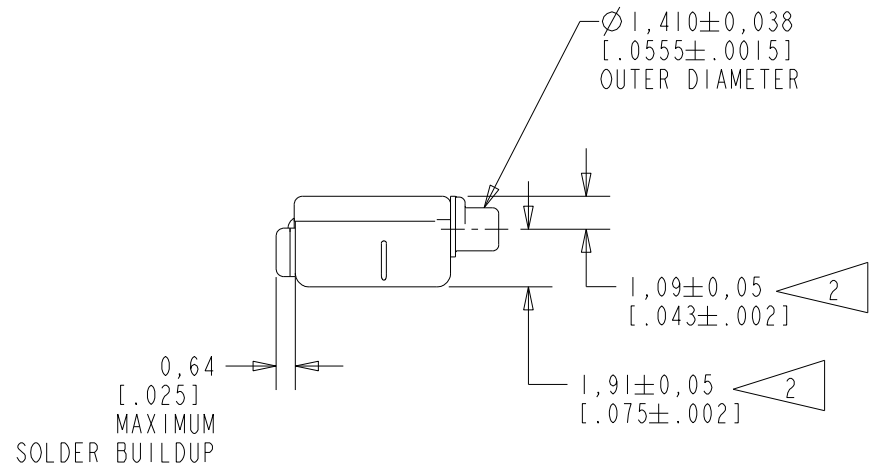
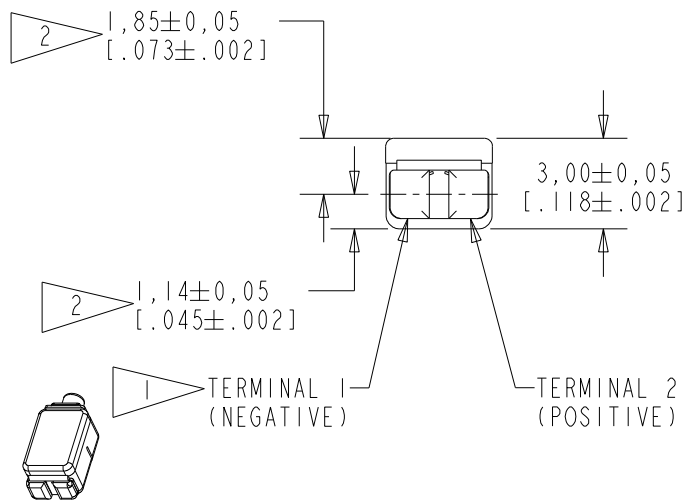
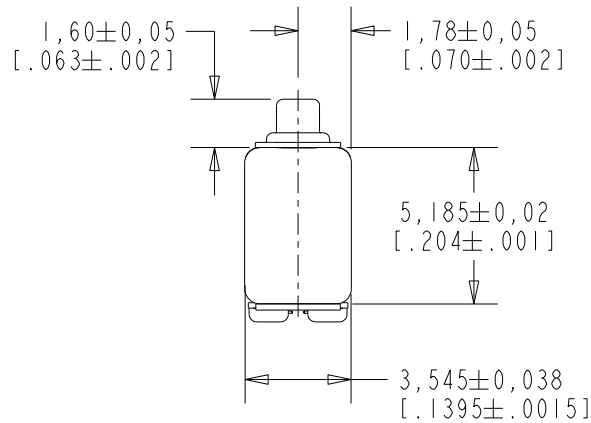


EH-27233-000

SHT 1.1

NOTES:

- 1 A POSITIVE GOING VOLTAGE AT TERMINAL 2, RELATIVE TO TERMINAL 1, CAUSES A DECREASE IN PRESSURE AT THE SOUND OUTLET.
- 2 LOCATED FROM TWO SURFACES FOR CUSTOMER CONVENIENCE. ONLY APPLICABLE FROM ONE SURFACE, NOT TO BE USED TOGETHER. HORIZONTAL LOCATION FOR TERMINAL CENTERED TO $\pm 0,17$ [.007].

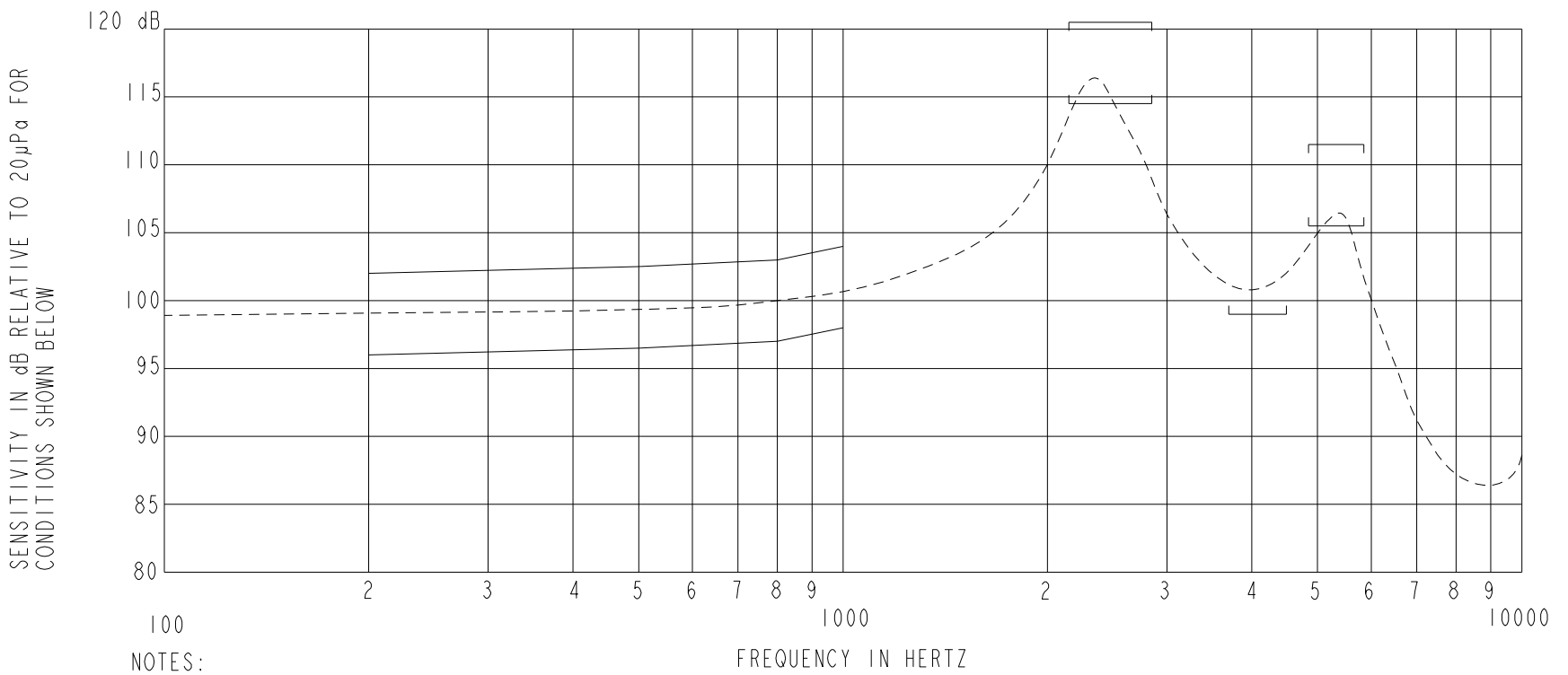


SCALE 2:1
 NOMINAL WEIGHT
 .23 GRAMS
 DIMENSIONS IN MILLIMETERS [INCHES]

KNOWLES CORPORATION

Revision	C.O. #	Implementation Date	RELEASE LEVEL	REVISION
D	PI0000990	11-25-16	Active	D

SCALE: 4:1		DR. BY: AB	DATE: 11-12-05
DO NOT SCALE DRAWING		CK. BY: GJP	DATE: 11-21-05
TITLE: RECEIVER	EH-27233-000	APP. BY: GJP	DATE: 11-21-05
OUTLINE DRAWING	SHT 1.1		



NOTES:

1. MEASUREMENTS MADE USING 10mm (.394") OF 1mm (.039") ID TUBE CONNECTED TO A SIMULATED ANSI S3.3-1960 TYPE HA-3 (IEC 60318-5).

2.

FREQUENCY	SENSITIVITY	
	MIN.	MAX.
200	96.0	102.0
500	96.5	102.5
800	97.0	103.0
1000	98.0	104.0
2150-2850	114.5	120.5
3700-4500	99.0	---
4850-5850	105.5	111.5

- RESPONSE, IMPEDANCE, AND DISTORTION MEASUREMENTS MADE USING THE ELECTRICAL TEST CONDITIONS SHOWN BELOW.
- ELECTRICAL SOURCE IMPEDANCE MUST BE GREATER THAN 20 TIMES 1KHz IMPEDANCE FOR TEST CONDITIONS SHOWN BELOW.
- INDIVIDUAL SPECIFICATIONS.

PORT LOCATION	IMPEDANCE OHMS ±15%		DCR @20°C OHMS ±10%	DISTORTION		ELECTRICAL TEST CONDITIONS	
	1KHz	500Hz		MAX. %	FREQ Hz	AC mA RMS	DC mA
12C	756	552	465	10	800	0.81	0.0

Revision	C.O. #	Implementation Date	RELEASE LEVEL	REVISION
			Active	D
D	PI0000990	11-25-16		

KNOWLES CORPORATION	WHEN TEST LIMITS ARE USED TO ESTABLISH INCOMING INSPECTION ACCEPTANCE/REJECTION CRITERIA, CORRELATION OF TEST EQUIPMENT WITH KNOWLES IS ALSO REQUIRED FOR ELIMINATION OF EQUIPMENT AND TEST METHOD VARIATION		DR. BY	DATE	
	TITLE: RECEIVER		AB	11-12-05	
			GJP	11-21-05	
	PERFORMANCE SPECIFICATION		EH-27233-000	SHT 2.1	APP. BY
			GJP	11-21-05	